

## Slackline Element Description

*Slacklining is a popular growing sport that involves the participant balancing on a tensioned piece of nylon webbing. This activity has become a popular pastime on Western's campus, and on sunny days, many students can be seen slacklining on the SMATE Lawn. The Challenge Program hopes to bring the fun and challenge of slacklining to the participants of Back 2 Bellingham.*

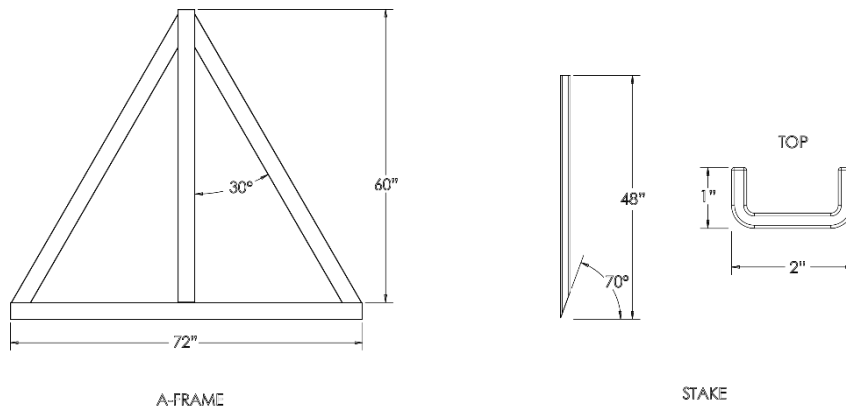
*The slackline we hope to set up for the Back 2 Bellingham event will be 50' long and will utilize 2" wide webbing. The 2" webbing is wider and more stable than some slacklines, thus ensuring a somewhat easier learning curve. The installation of the slackline will be temporary and will not harm the Comm Lawn in any way.*

*The installation of the slackline is adapted from a technique developed by the German company Slackline-Tools. The system will use standard 2" slackline webbing and a mechanical ratchet for tensioning. The system will be anchored by four stakes on each side in order to equalize the load on the system. The slackline will be tensioned over two a-frame structures, which will allow for the height to be adjusted to allow for differing levels of challenge. The stakes can be removed easily after the event. Three Black Diamond "Drop Zone" crash pads will be purchased to add additional safety measures and to allow participants to feel more comfortable expanding their skills.*

## Item Details

### A-Frames:

*The A-Frame structures will be constructed out of 4"x4" Douglas Fir lumber and fastened with 5/16" lag screws. Each A-Frame will require four 8' 4"x4" pieces and ten 5/16" x 5" lag screws.*



### Stakes:

*The stakes will be made from 48" sections of 2" wide A3 steel channel. The "U" shape of the stake allows for a greater grip in the soil. Each stake will attach to the slackline with a 1/4" x 1" U-bolt.*

**Crash Pads:**

This proposal recommends for the purchase of three Black Diamond "Drop Zone" crash pads. These pads are designed to cushion falls and remove risk from participating on the slackline. Black Diamond is the choice for purchasing these pads due to the fact that the Outdoor Center has a wholesale account with Black Diamond, and the prices are much lower than any alternatives.



**Item List/ Costs**

|     |                               |        |            |         |
|-----|-------------------------------|--------|------------|---------|
| 8x  | 4"x4"x8' Douglas Fir lumber   | 8 [x]  | \$10 each  | = \$80  |
| 20x | 5/16"x5" Lag Screws           | 20 [x] | \$2 each   | = \$40  |
| 8x  | 48" 2" Steel Channel Stakes   | 8 [x]  | \$15 each  | = \$120 |
| 10x | 1/4"x1" U-bolts               | 10 [x] | \$3.6 each | = \$36  |
| 8x  | 3/8" Steel Rapid Links        | 8 [x]  | \$2 each   | = \$16  |
| 1x  | 25m of 5mm Tech Cord          | 1 [x]  | \$104 each | = \$104 |
| 1x  | Gibbon "Classic" 2" Slackline | 1 [x]  | \$80 each  | = \$80  |
| 3x  | Black Diamond "Drop Zone"     | 3 [x]  | \$200 each | = \$600 |

|     |                          |        |               |         |
|-----|--------------------------|--------|---------------|---------|
| 10x | Facilitator Set-up Labor | 10 [x] | \$15 per hour | = \$150 |
|-----|--------------------------|--------|---------------|---------|

**TOTAL = \$1226**

